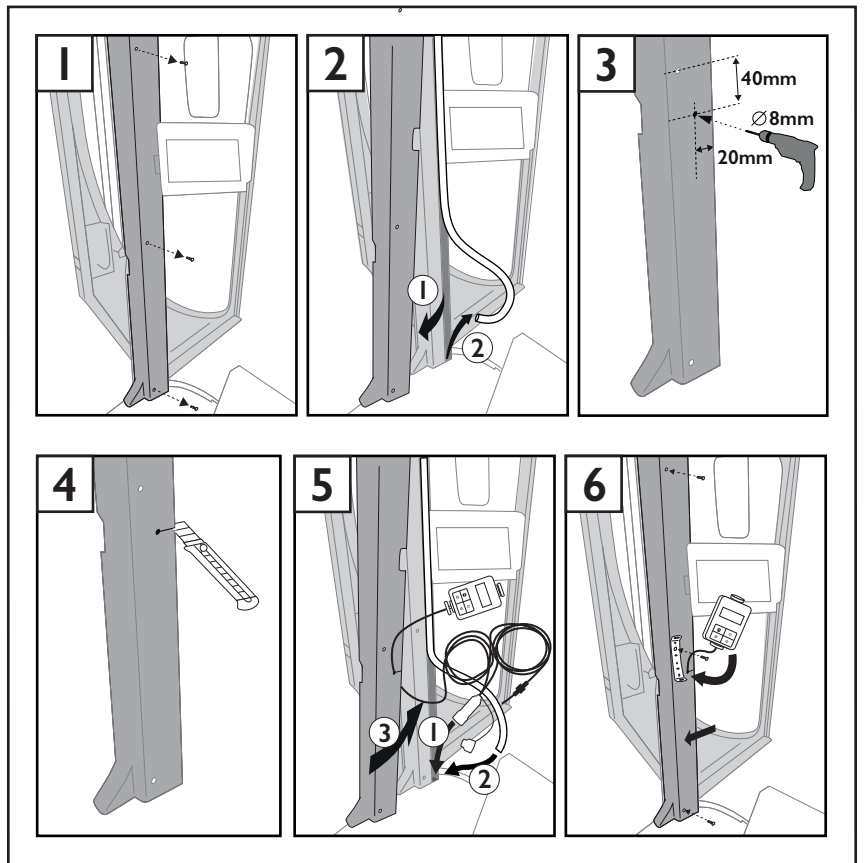


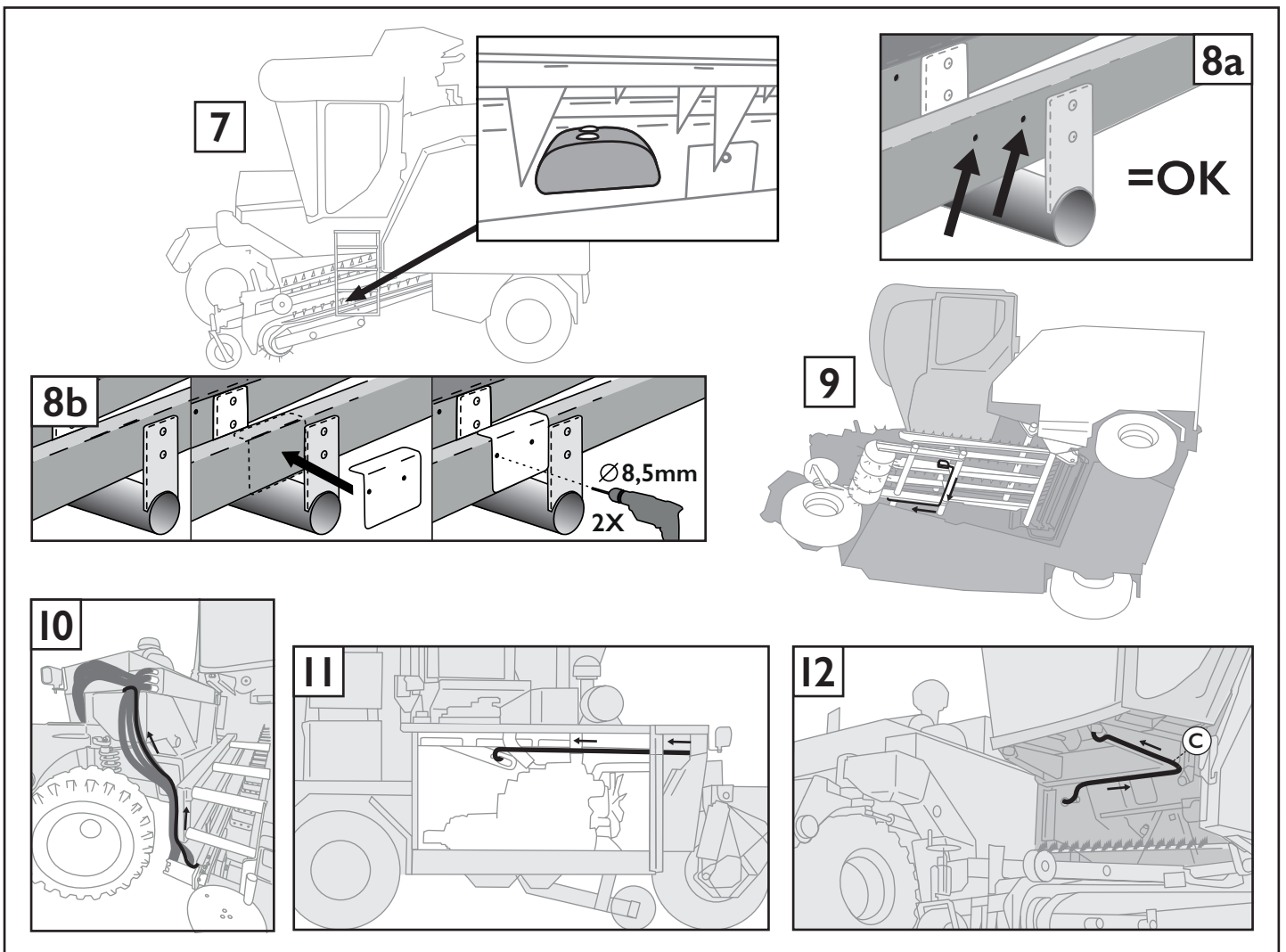
A



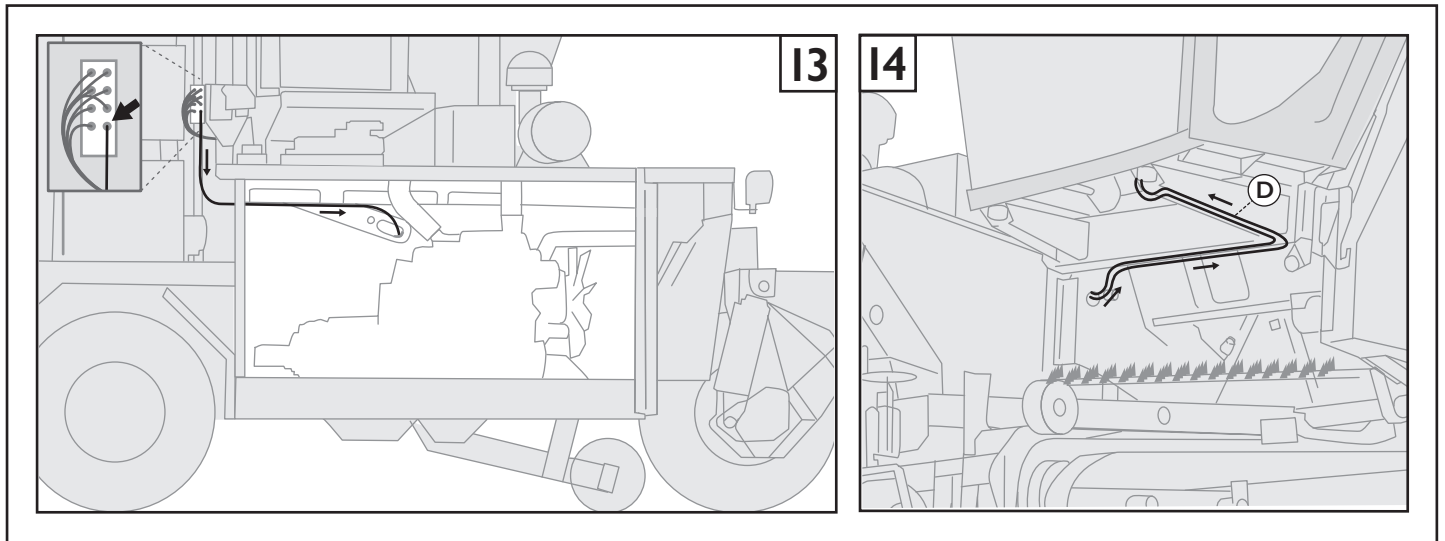
B



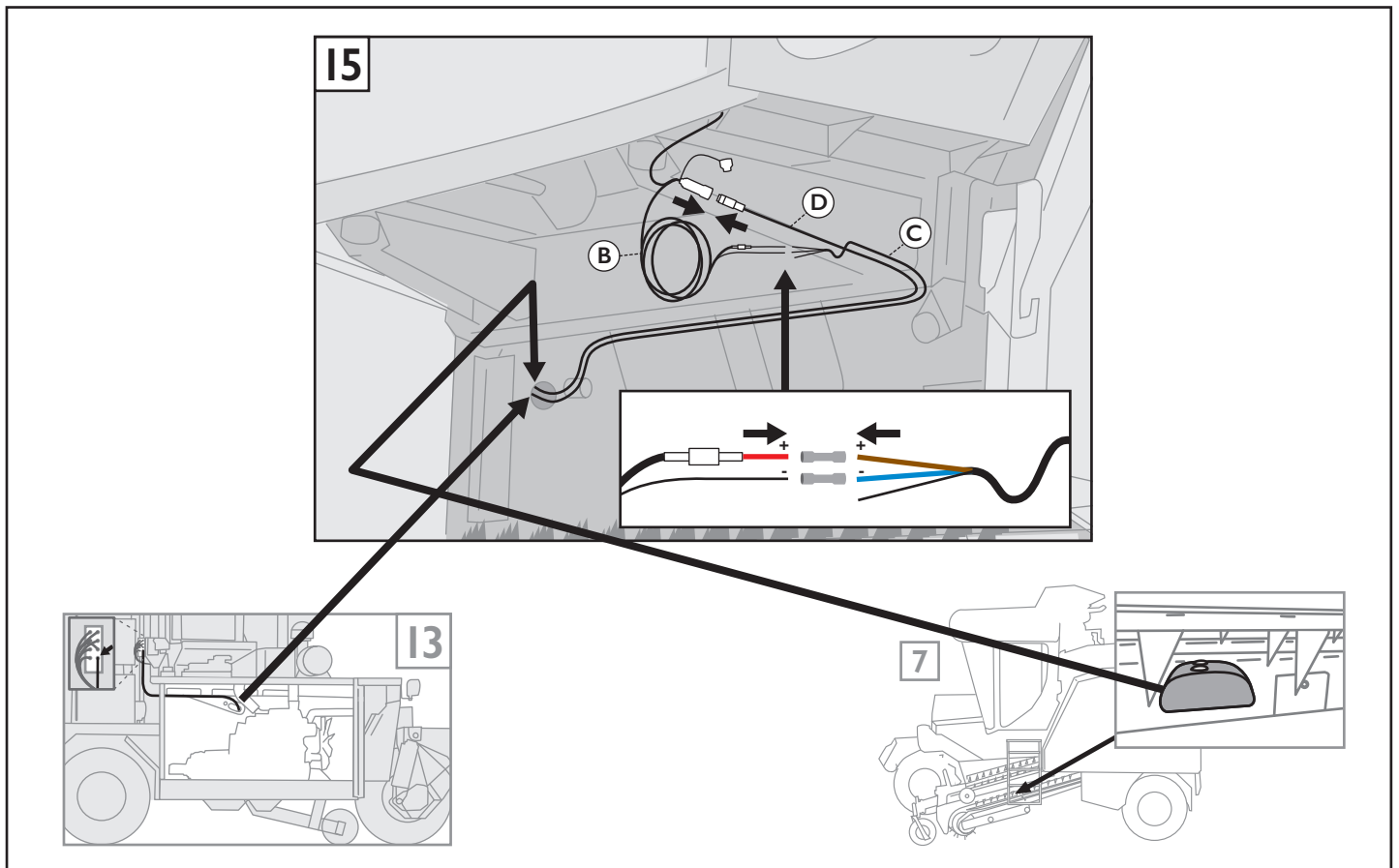
C



D



E



F

- 💡 12% - 15%     $x\%$  (4 sec)

---

- 🔌 ON / OFF

---

- 🕒 1s, 2s, 5s, 15s

---

- +  $x \rightarrow M^+$      $\bar{x} = \frac{\sum x}{n}$  (4 sec)